

**FAST-650**

**Adaptive**

**Fast-650**

**Radar Speed Display Trailer**



The Adaptive Fast 650 Radar Speed Display Trailer was designed for small residential street and corporate campus type applications where speeding is a problem. While it may be light in weight, it is built to the same tough industrial standards as its bigger brothers. Easily towed with a passenger vehicle or even a golf cart, the trailer can be repositioned throughout a community's streets for maximum effectiveness.

This trailer mounted radar display is accurate within one mile per hour, and easily read at a glance. The 12" high, full matrix LED characters can be seen from 750 feet to alert the driver of their speed. And optional violator alerts make your point perfectly clear to all.

# Fast-650

## Radar Speed Display Trailer

### Standard Features

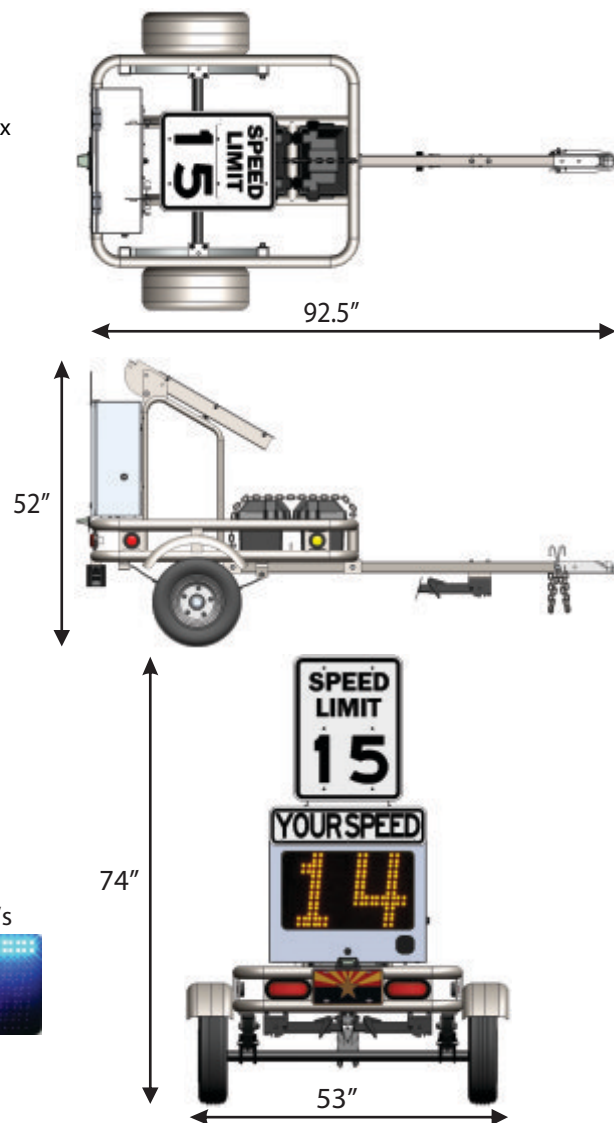
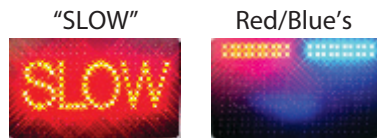
- 2"Æ tubular steel space-frame chassis
- K-Band Directional Radar
- MUTCD conforming speed limit sign
- 0,2-4 digit number placards (higher digits available but not recommended)
- Powder coat finish over high-zinc epoxy primer
- Three (3) Leveling jacks - 3 flip down, no bull-dog
- 2000 lb. axle, leaf spring suspension
- 8" white steel wheels w/ 4.80-8C two (2) ply ST rated tires
- 12 gauge formed fenders
- DOT regulation lights (including side markers, cut out style, with flat 4-pin connector)
- Length 92.5" x Width 53"
- Height: deployed 74", in tow 52"
- 310 Lbs. curb weight, ~27 Lbs. tongue weight
- Battery(s) 1 x 12VDC Group 24 industrial AGM battery\*  
82.5 A/Hrs (7-10 days service) mounted in marine battery box
- Charger: 6A internal marine grade floating charger
- Timer Single cycle 24 Hour ON/OFF timer
  - \* Up to two batteries total

### Display Features

- 12" full graphic characters visible up to 750'
- Automatic intensity adjustment to ambient light
- Directional K-Band radar mounted in display
- RF Key fob for remote parameter setup, 100+ ft. range
- Radar sensitivity user programmable, 5 levels
- Flashing digit violator alert
- Amber LED traffic management arrows
- High/low speed programmable blanking
- Dark mode data collection
- 3/16" tinted, non-glare GE Lexan
- Sports mode
- Voltage check
- KPH & MPH selectable
- Built in diagnostics

### Options

- Violator alerts\*
  - "SLOW"
  - Red-Blue Flashing Bars
  - White LED Flashing Strobe
- Second battery for extended deployment (shown here)
- 50W Solar panel
- Trailer cover
- Locking lug nuts
- Ball receiver lock
- "Tire Claw" wheel lock
- GPS Asset Tracking
- RU2 Traffic Count Statistics Package
- Spare tire with mounting kit



Technical specifications are subject to change without notice.