



**FAST-3450**

## **Fast-3450**

### **Variable Message Radar Speed Display Trailer**



The most versatile Variable Message Radar Sign available, the Fast-3450 Series Speed Display Trailer has a 40" x 50" full graphic, medium density LED array capable for 1 to 4 lines of text, full graphic characters and complex animation. Whether its speed awareness, a DUI checkpoint, event promotion or traffic management, you can keep the "3450" busy 7 days a week!

The VMS display panel folds down creating a lower trailer profile for easy transport and storage. Its design makes for easy one-person deployment and retrieval. Standard features include an on-line message/graphics library message and "VMS Maker" customization software for both text and animation.

Optional features include solar power assist, wireless communications, ALPR and, our "Traffic Count" Data Acquisition Package, which records the time, date and speed of oncoming vehicles without the use of dirty and cumbersome pneumatic tubes!

# Fast-3450

## Variable Message Radar Speed Display

### Standard Features:

Medium density LED matrix with individual LED control 64 rows / 80 columns - 5,120 LEDs

40" x 50" active area; 2.56 LEDs per square inch  
Up to 40" Amber AllnGaP LED digits

One to Four lines of text; 2 @ 19", 3 @ 13", 4 @ 9"

RU2 "VMS Creator" software

included Over 500 frames of animation / scrolling

On-line Message/Animation library

Display protected by 3/16" smoked, non-glare GE Lexan®  
Automatic intensity adjustment to ambient light conditions

Single directional K-band radar unit

Keyed On/Off switch

Four (4) AGM aviation grade batteries (396 A/Hrs. total)

"Presence Only" VMS mode for power conservation

Unit defaults to last settings upon power up

### Construction:

2" tubular steel space-frame chassis

Polyester powder coat finish over high zinc epoxy primer  
swivel tongue jack

(2) Extendable outrigger stabilizers with a swing down

4.80 x 13 ST tires on 5 lug automotive type hubs

2" Class II ball coupler

Full 7" wide, 14 gauge steel fenders

2000 lb rated axle

Leaf spring suspension

Taper roller bearings

Sawtooth machined aluminum wheels

Curb Weight: ~940 lbs.

### Options Available:

Solar power - 80/140/280 Watt panel(s)

GPS Vehicle Theft Deterrent System

Data acquisition package for Counting & Clocking  
oncoming vehicles

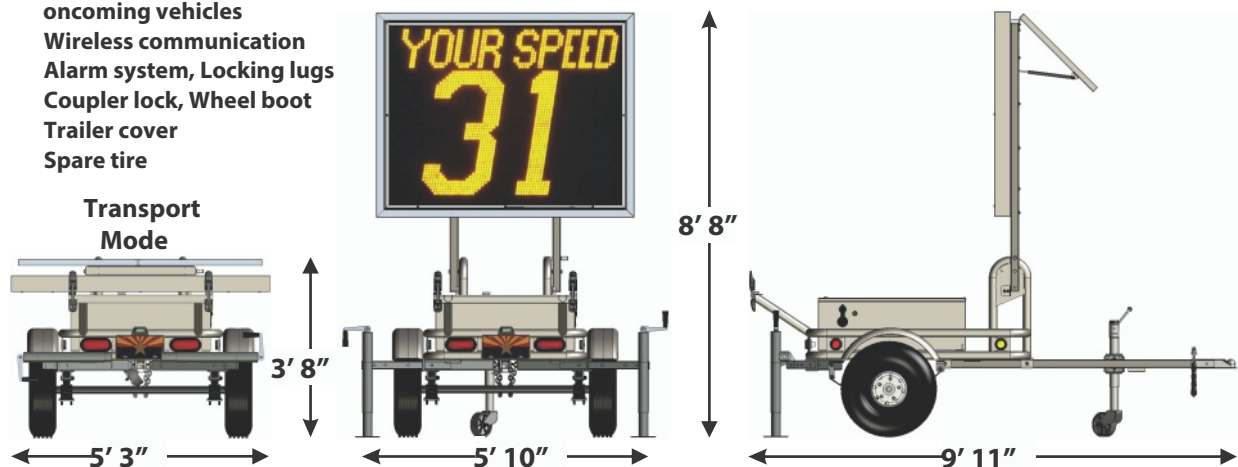
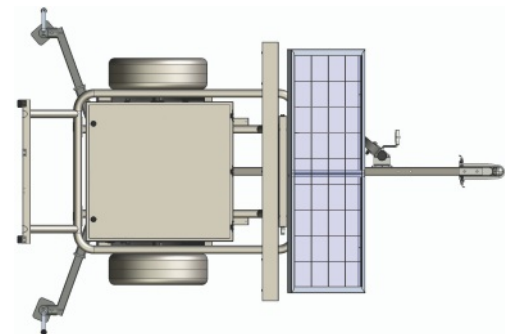
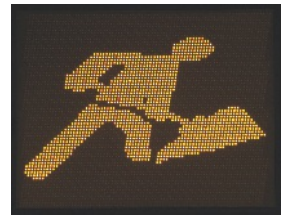
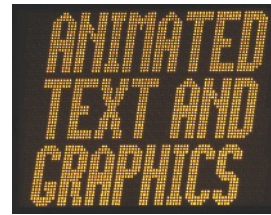
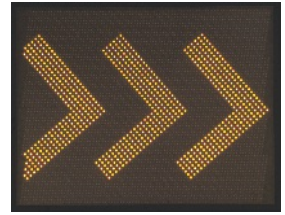
Wireless communication

Alarm system, Locking lugs

Coupler lock, Wheel boot

Trailer cover

Spare tire



Technical specifications are subject to change without notice.