



FAST-3350

Fast-3350

Variable Message Radar Speed Display Trailer



The Fast-3350 VMS Series Speed Display Trailer has a 30" x 50" full graphic, medium density LED array capable for 1 to 3 lines of text, full graphic characters and complex animation. The VMS display sign folds down creating a lower trailer profile for easy transport and storage. Standard features include high speed blanking, flashing digit violator alert and traffic management arrows, a basic VMS message library and customization software for both text and animation.

Optional features include solar power assist, digital video photo enforcement system and, our Systems Data Acquisition Package, which records the time, date and speed of oncoming vehicles without the use of cumbersome pneumatic tubes placed across the street!

Fast-3350

Variable Message Radar Speed Display Trailer

Standard Features:

Medium density LED matrix with individual LED control
 48 rows / 80 columns - 3,840 LEDs
 30" x 50" active area; 2.56 LEDs per square inch
 Up to 30" Amber AllnGaP LED digits
 One to Three lines of text; 1 @ 19", 2 @ 13", 3 @ 9"
 RU2 "VMS Creator" software included
 Over 500 frames of animation / scrolling
 On-line Message/Animation library
 Display protected by 3/16" smoked, non-glare GE Lexan®
 Automatic intensity adjustment to ambient light conditions
 Single directional K-band radar unit
 Keyed On/Off switch
 Four (4) AGM aviation grade batteries (396 A/Hrs. total)
 "Presence Only" VMS mode for power conservation
 Unit defaults to last settings upon power up

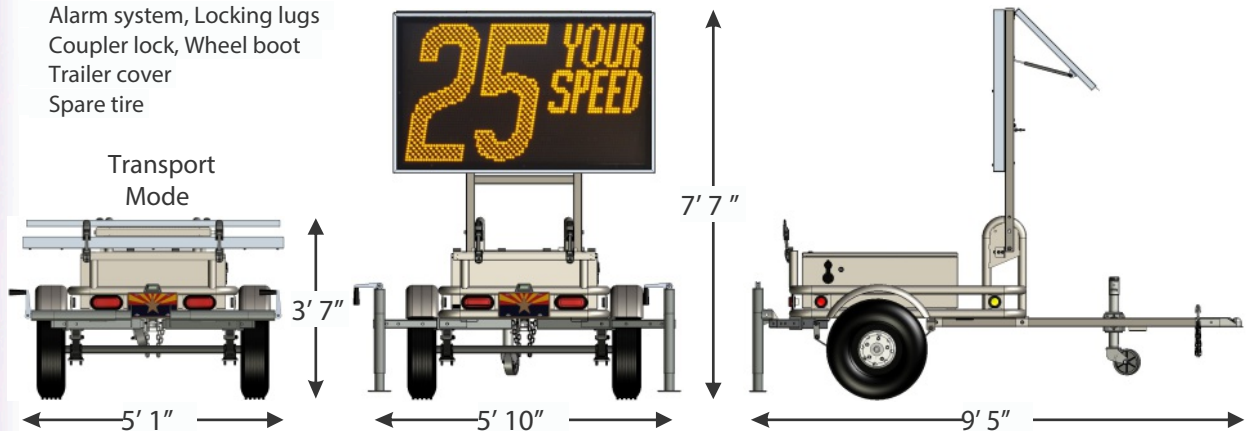
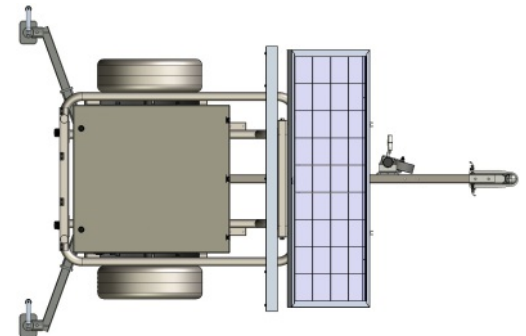


Construction:

" 2 tubular steel space-frame chassis
 Polyester powder coat finish over high zinc epoxy primer
 (2) Extendable outrigger stabilizers with a swing down swivel tongue jack
 4.80 x 13 ST tires on 5 lug automotive type hubs
 2" Class II ball coupler
 Full 7" wide, 14 gauge steel fenders
 2000 lb. rated axle
 Leaf spring suspension
 Taper roller bearings
 Curb Weight: ~900 lbs.

Options Available:

Solar power – 80/140/280 Watt panel(s)
 Sawtooth machined aluminum wheels
 GPS Vehicle Theft Deterrent System
 Data acquisition package for Counting & Clocking oncoming vehicles
 Alarm system, Locking lugs
 Coupler lock, Wheel boot
 Trailer cover
 Spare tire



Technical specifications are subject to change without notice.