



RU2 Systems, Inc.

The Leader in Speed Display Technology

RU2 Fast-3450

VMS Radar Speed Display Trailer



The most versatile Variable Message Radar Sign available, the RU2 Fast-3450 Series Speed Display Trailer has a 40" x 50" full graphic, medium density LED array capable for 1 to 4 lines of text, full graphic characters and complex animation. Whether its speed awareness, a DUI checkpoint, event promotion or traffic management, you can keep the "3450" busy 7 days a week!

The VMS display panel folds down creating a lower trailer profile for easy transport and storage. Its design makes for easy one-person deployment and retrieval. Standard features include an on-line message/graphics library message and "VMS Maker" customization software for both text and animation.

Optional features include solar power assist, wireless communications, ALPR and, our RU2 "Traffic Count" Data Acquisition Package, which records the time, date and speed of oncoming vehicles without the use of dirty and cumbersome pneumatic tubes!

RU2 Systems: The Industry Leader in Speed Display Technology

2631 North Ogden Road, Mesa, AZ 85215

[P] 480-982-2107 [F] 480-982-5237

Toll Free 877-982-2107

e-mail: info@ru2systems.com www.ru2systems.com

Fast-3450 VMS

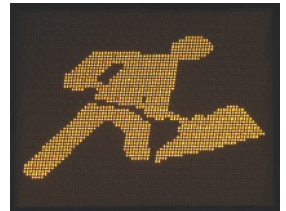
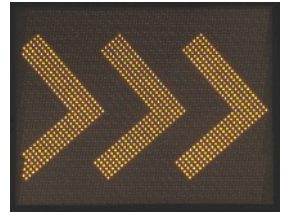


RU2 Fast-3450 VMS

Variable Message Radar Speed Display

Standard Features:

- Medium density LED matrix with individual LED control
- 64 rows / 80 columns - 5,120 LEDs
- 40" x 50" active area; 2,56 LEDs per square inch
- Up to 40" Amber AllnGaP LED digits
- One to Four lines of text; 2 @ 19", 3 @ 13", 4 @ 9"
- RU2 "VMS Creator" software included
- Over 500 frames of animation / scrolling
- On-line Message/Animation library
- Display protected by 3/16" smoked, non-glare GE Lexan®
- Automatic intensity adjustment to ambient light conditions
- Single directional K-band radar unit
- Keyed On/Off switch
- Four (4) AGM aviation grade batteries (396 A/Hrs. total)
- "Presence Only" VMS mode for power conservation
- Unit defaults to last settings upon power up

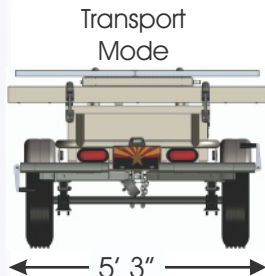
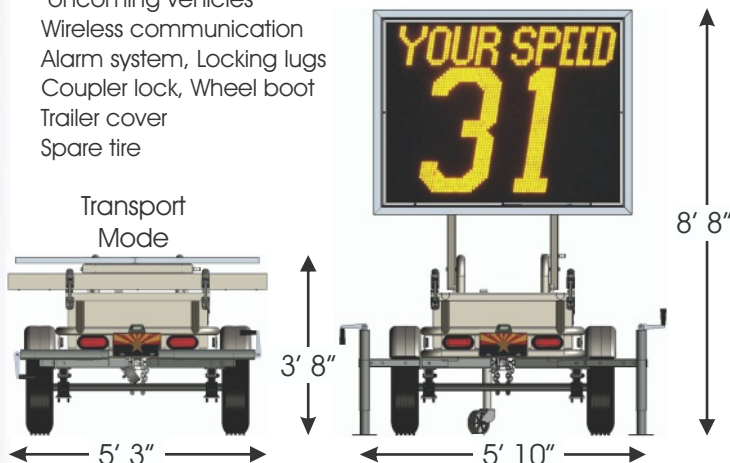
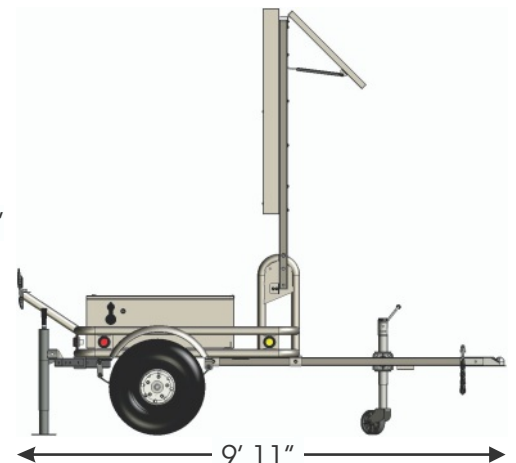
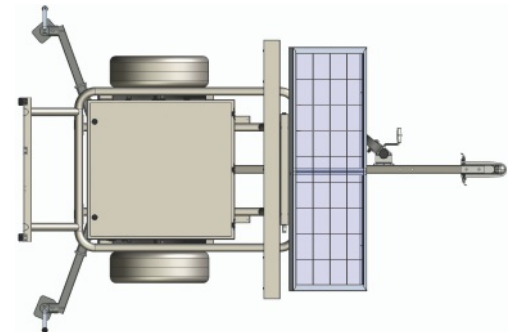


Construction:

- 2" tubular steel space-frame chassis
- Polyester powder coat finish over high zinc epoxy primer
- (2) Extendable outrigger stabilizers with a swing down swivel tongue jack
- 4.80 x 13 ST tires on 5 lug automotive type hubs
- 2" Class II ball coupler
- Full 7" wide, 14 gauge steel fenders
- 2000 lb rated axle
- Leaf spring suspension
- Taper roller bearings
- Curb Weight: ~940 lbs.

Options Available:

- Solar power - 80/140/280 Watt panel(s)
- Sawtooth machined aluminum wheels
- GPS Vehicle Theft Deterrent System
- Data acquisition package for Counting & Clocking oncoming vehicles
- Wireless communication
- Alarm system, Locking lugs
- Coupler lock, Wheel boot
- Trailer cover
- Spare tire



Technical specifications are subject to change without notice.

WARRANTY:
 RU2 Systems warrants their LED Displays for Five Years. The Radar Gun is warranted for Two years. On-site labor is not included. However, parts are repaired within five business days of receipt, and include ground-shipping expenses. Warranty does not include physical damage from misuse or vandalism.

RU2 Systems, Inc.
 2631 N. Ogden Road
 Mesa, AZ 85215

[P] 480-982-2107 [F] 480-982-5237
 Toll Free 877-982-2107
www.ru2systems.com