



RU2 Systems, Inc.

Radar Speed Display Signs Manufacturing & Sales

RU2 SpeedRanger Radar Speed Display Trailer



The RU2 SpeedRanger™ Speed Display Trailer has a 18" tall character display and when in full operating position, stands over 7 feet tall. The speed display sign folds down creating a lower trailer profile for easy transport and storage. Standard features include high speed blanking, flashing digit violator alert and traffic management arrows.

Optional features include our violator alert system (a flashing strip of red and blue LED's and/or the "SLOW DOWN" message in red LED's) when the approaching vehicle does not slow to the selected speed. Also available is our RU2 Systems Data Acquisition Package, which records the time, date and speed of oncoming vehicles without the use of cumbersome pneumatic tubes placed across the street!

RU2 Systems: The Industry Leader in Speed Display Technology

4840 East Jasmine Street, Suite 102, Mesa, AZ 85205

[P] 480-982-2107 [F] 480-982-5237

Toll Free 877-982-2107

e-mail: info@ru2systems.com www.ru2systems.com

RU2 SpeedRanger



RU2 SpeedRanger™

Radar Speed Display Trailer

Standard Features:

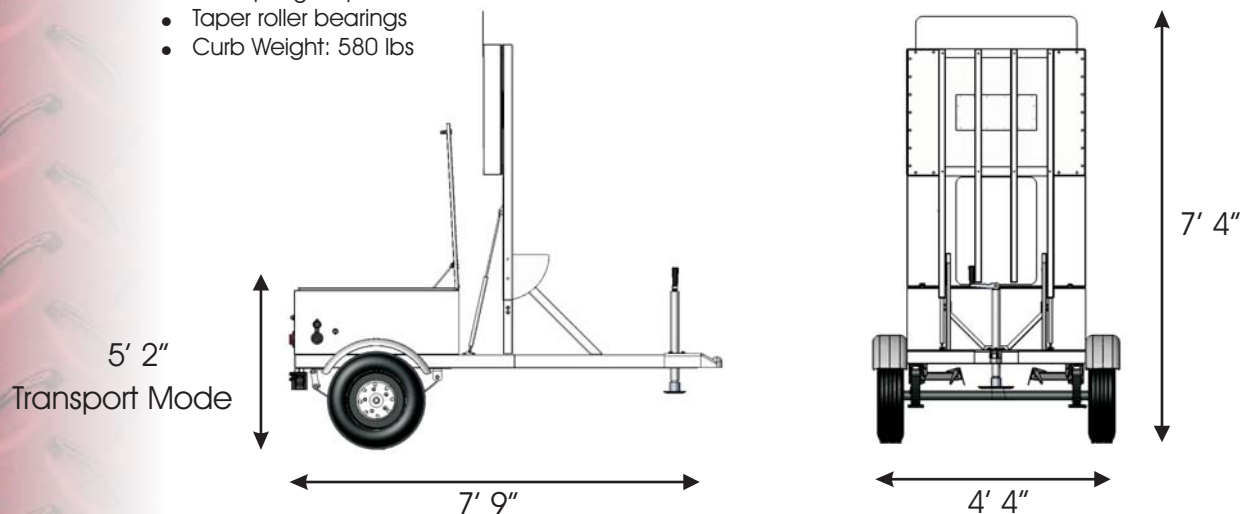
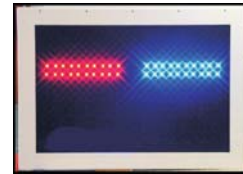
- Single directional K-band radar unit
- 18" Amber AllnGaP LED display characters
- Display protected by 3/16" GE Lexan® with a smoked, non-glare finish
- Automatic intensity adjustment to ambient light conditions
- 18" x 24" MUTCD R2-1 speed sign / 5-65 MPH overlays
- Keyed On/Off switch
- One (1) AGM aviation grade battery
- Single cycle 24 hour ON/OFF clock
- Flashing Digit Violator Alert
- Directional Traffic Arrow Patterns
- Minimum Display Speed / High Speed Cut-off
- Unit defaults to last settings upon power up

Options Available:

- Solar power – 50W panel
- Data acquisition packages for counting and clocking oncoming vehicles
- Violator Alerts: Flashing Red and Blue LED's and/or "SLOW DOWN" message in Red LED's and/or White Strobe
- Alarm system
- Locking lugs
- Trailer cover

Construction:

- 3" 10 Gage steel channel frame
- Polyester powder coat finish over high zinc epoxy primer
- (3) Stabilizer jacks with a 750 lb capacity each. Capable of raising the trailer up to 8" from normal height
- 4.80 x 13 ST tires on 5 lug automotive type hubs
- 2" Class II ball coupler
- Full 7" wide, 14 gauge steel fenders
- 2000 lb rated axle
- Leaf spring suspension
- Taper roller bearings
- Curb Weight: 580 lbs



WARRANTY:

RU2 Systems warrants their LED Displays and this Trailer for Two Years. The Radar Gun is warranted for Two years. On-site labor is not included. However, parts are repaired within five business days of receipt, and include ground-shipping expenses. Warranty does not include physical damage from misuse or vandalism.

RU2 Systems, Inc.
4840 E. Jasmine St., Suite 102
Mesa, AZ 85205

[P] 480-982-2107 [F] 480-982-5237
Toll Free 877-982-2107
www.ru2systems.com