



RU2 Systems, Inc.

Radar Speed Display Signs Manufacturing & Sales

RU2 Fast 750

Radar Speed Display Trailer



The RU2 Fast 750 Radar Speed Display Trailer has a 12" LED display that stands 7 feet tall when raised into operating position. The display is raised and lowered with an electric actuator for an effortless setup. Easily towed and placed into position, this trailer is ideal for neighborhood streets where speeding is a problem. The sign typically runs five to eight days before charging is necessary.

Optional equipment includes the data acquisition package, solar panel, an alarm system and trailer cover.

RU2 Systems, Inc. has the right signs and trailers to help you succeed with your traffic calming program!

PO Box 4468 Apache Junction, AZ 85278

[P] 480-982-2107 [F] 480-982-5237

Toll Free 877-982-2107

e-mail: info@ru2systems.com www.ru2systems.com

RU2 Fast 750



RU2 Fast 750

Radar Speed Display Trailer

Standard Features:

- Single directional K-band radar unit
- 12" Amber AllnGaP LED display characters
- Display protected by 3/16" GE Lexan® with a smoked, non-glare finish
- Automatic intensity adjustment to ambient light conditions
- Fold down display with Electric Actuator for easy deployment
- Keyed On/Off switch
- One (1) AGM aviation grade battery
- Single cycle ON/OFF clock
- Flashing Digit Violator Alert
- Directional Traffic Arrow Patterns
- Minimum Display Speed / High Speed Cut-off
- Unit defaults to last settings upon power up

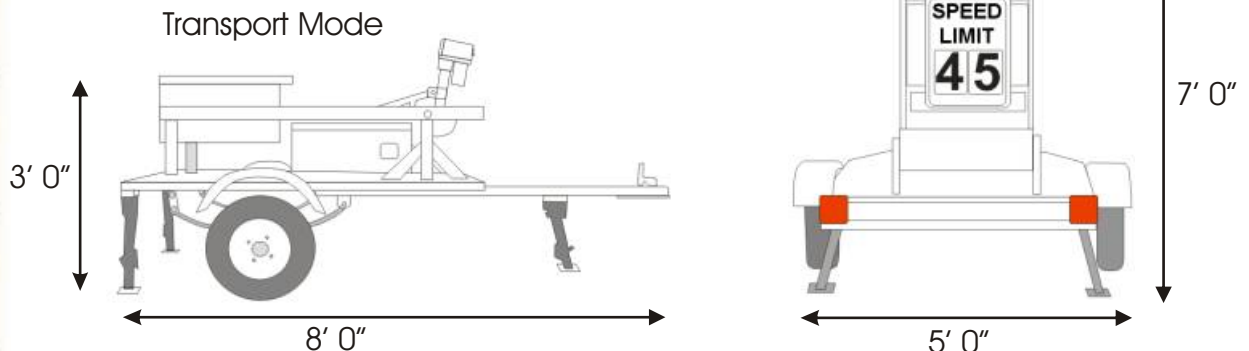
Options Available:

- Solar power – 40-watt panel
- Data acquisition packages for counting and clocking oncoming vehicles
- Violator Alerts: Flashing Red and Blue LED's and/or "SLOW" message in Red LED's and/or White Strobe
- Alarm system
- Locking lugs
- Removable Trailer Tongue
- Trailer cover



Construction:

- 2" square steel tubing frame
- 1/8" steel diamond plate decking
- White polyester powder coat finish over high zinc epoxy primer
- (3) Stabilizer jacks with a 750 lb capacity each. Capable of raising the trailer up to 8" from normal height
- 4.80 x 8 ST tires on 5 lug automotive type hubs
- 2" Class II ball coupler
- Full 7" wide, 14 gauge steel fenders
- 2000 lb rated axle
- Leaf spring suspension
- Taper roller bearings
- Curb Weight: 600 lbs



WARRANTY:

RU2 Systems warrants their LED Displays and Trailers for Five Years. The Radar Gun is warranted for Two years. On-site labor is not included. However, parts are repaired within five business days of receipt, and include ground-shipping expenses. Warranty does not include physical damage from misuse or vandalism.

RU2 Systems, Inc.
PO Box 4468
Apache Junction, AZ 85278

[P] 480-982-2107 [F] 480-982-5237
Toll Free 877-982-2107
www.ru2systems.com