



# RU2 Systems, Inc.

Radar Speed Display Signs Manufacturing & Sales

## RU2 Fast 600

### Radar Speed Display Trailer



The RU2 Fast 600 Radar Speed Display Trailer was designed for small community streets where speeding is a problem. While it may be light weight, we built it to the same tough industrial standards as its bigger brothers. Easily towed with a passenger vehicle or even a golf cart, the trailer can be repositioned throughout a community streets for maximum effectiveness.

This trailer mounted radar display is accurate within one mile per hour, and easily read at a glance. The 12" high, full matrix LED characters can be seen from 750 feet to alert the driver of their speed. And optional violator alerts make your point perfectly clear to all.

**RU2 Systems: The Industry Leader in Speed Display Technology**

4840 East Jasmine Street, Suite 102, Mesa, AZ 85205

[P] 480-982-2107 [F] 480-982-5237

Toll Free 877-982-2107

e-mail: [info@ru2systems.com](mailto:info@ru2systems.com) [www.ru2systems.com](http://www.ru2systems.com)

RU2 Fast 600



# RU2 Fast 600

## Radar Speed Display Trailer

### Standard Features:

- Single directional K-band radar unit
- 12" Amber AllnGaP LED display characters
- Display protected by 3/16" GE Lexan® with a smoked, non-glare finish
- Automatic intensity adjustment to ambient light conditions
- Fold down speed sign rack
- Keyed On/Off switch
- One (1) Deep Cycle Marine battery
- Single cycle ON/OFF clock
- Flashing Digit Violator Alert
- Directional Traffic Arrow Patterns
- Minimum Display Speed / High Speed Cut-off
- Unit defaults to last settings upon power up

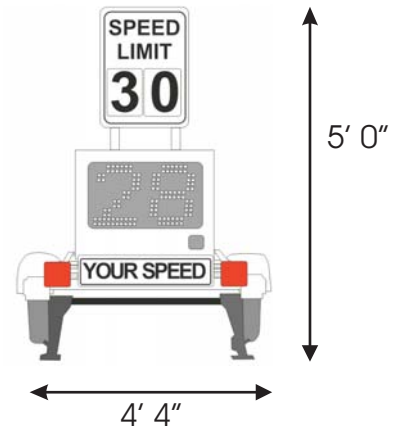
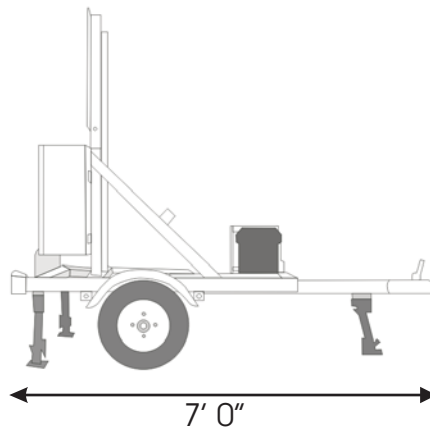
### Options Available:

- Data acquisition packages for counting and clocking oncoming vehicles
- Violator Alerts: Flashing Red and Blue LED's and/or "SLOW" message in Red LED's and/or White Strobe
- Alarm system
- Locking lugs
- Removable Trailer Tongue
- Trailer cover



### Construction:

- 2" square steel tubing frame
- White polyester powder coat finish over high zinc epoxy primer
- (3) Stabilizer jacks with a 750 lb capacity each. Capable of raising the trailer up to 8" from normal height
- 4.80 x 8 ST tires on 4 lug automotive type hubs
- 2" Class II ball coupler
- Full 7" wide, 14 gauge steel fenders
- 2000 lb rated axle
- Leaf spring suspension
- Taper roller bearings
- Curb Weight: 350 lbs



### WARRANTY:

RU2 Systems warrants their LED Displays and Trailers for Five Years. The Radar Gun is warranted for Two years. On-site labor is not included. However, parts are repaired within five business days of receipt, and include ground-shipping expenses. Warranty does not include physical damage from misuse or vandalism.

### RU2 Systems, Inc.

4840 E. Jasmine St., Suite 102  
Mesa, AZ 85205

[P] 480-982-2107 [F] 480-982-5237

Toll Free 877-982-2107

[www.ru2systems.com](http://www.ru2systems.com)