



RU2 Systems, Inc.

Radar Speed Display Signs Manufacturing & Sales

SpeedScout™

Radar Speed Display Trailer



Looking for a portable *and* affordable traffic calming solution? The RU2 Systems SpeedScout™ fits both requirements. Our quality 12" high intensity LED display is mounted to a light weight trailer. This trailer can be towed with any vehicle and set up in minutes for traffic calming where and when you need it.

The SpeedScout™ includes the full matrix display, weatherproof enclosure and the single directional radar unit so only the oncoming vehicle speed is displayed. Options include trailer assembly, changeable speed limit sign (as shown) with fold back mount, internal smart float battery charger, and controls for setting a high speed cut-off, directional arrows, and flashing LED display violator alert.

RU2 Systems has the right signs and trailers to help you succeed with your traffic calming solutions!

PO Box 4468 Apache Junction, AZ 85278

[P] 480-982-2107 [F] 480-982-5237

Toll Free 877-982-2107

e-mail: info@ru2systems.com www.ru2systems.com

SpeedScout™



RU2 SpeedScout™

Radar Speed Display Trailer

Standard Features:

- Single directional K-band radar unit
- 12" Amber AllnGaP LED display characters
- Display protected by 3/16" GE Lexan® with a smoked, non-glare finish
- Automatic intensity adjustment to ambient light conditions
- One (1) Deep Cycle Marine battery
- External Charger
- Single cycle ON/OFF clock
- Flashing Digit Violator Alert
- Directional Traffic Arrow Patterns
- Minimum Display Speed / High Speed Cut-off
- Unit defaults to last settings upon power up

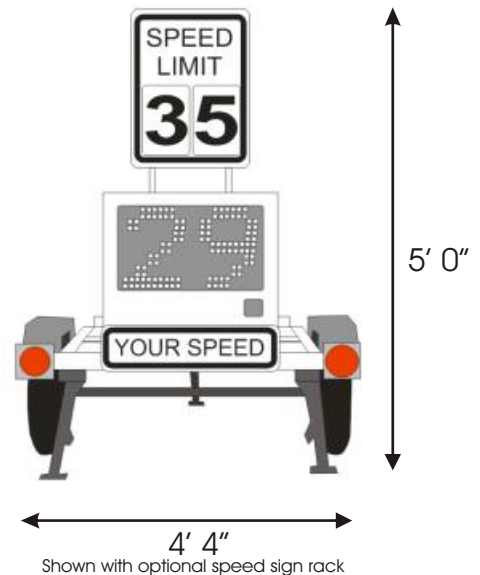
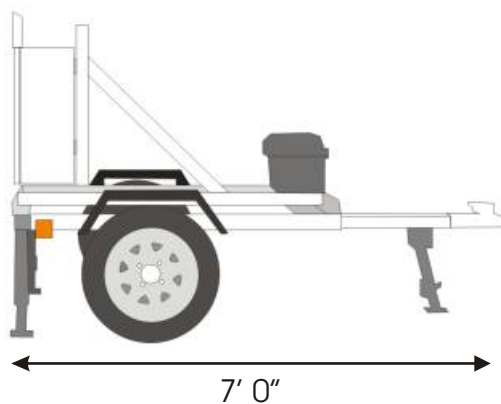
Options Available:

- Data acquisition packages for counting and clocking oncoming vehicles
- Violator Alerts: Flashing Red and Blue LED's and/or "SLOW" message in Red LED's and/or White Strobe
- Fold down speed sign rack with digits for 10 - 35 MPH
- Internal "smart" float charger
- Locking lugs
- Trailer cover



Construction:

- 2" angle iron frame
- White polyester powder coat finish over high zinc epoxy primer
- (3) Stabilizer jacks with a 750 lb capacity each. Capable of raising the trailer up to 8" from normal height
- 4.80 x 8 ST tires on 4 lug automotive type hubs
- 2" Class II ball coupler
- Full 7" wide, 14 gauge steel fenders
- 600 lb rated axle
- Leaf spring suspension
- Taper roller bearings
- Curb Weight: 300 lbs



WARRANTY:

RU2 Systems warrants their LED Displays and Trailers for Five Years. The Radar Gun is warranted for Two years. On-site labor is not included. However, parts are repaired within five business days of receipt, and include ground-shipping expenses. Warranty does not include physical damage from misuse or vandalism.

RU2 Systems, Inc.
PO Box 4468
Apache Junction, AZ 85278

[P] 480-982-2107 [F] 480-982-5237
Toll Free 877-982-2107
www.ru2systems.com